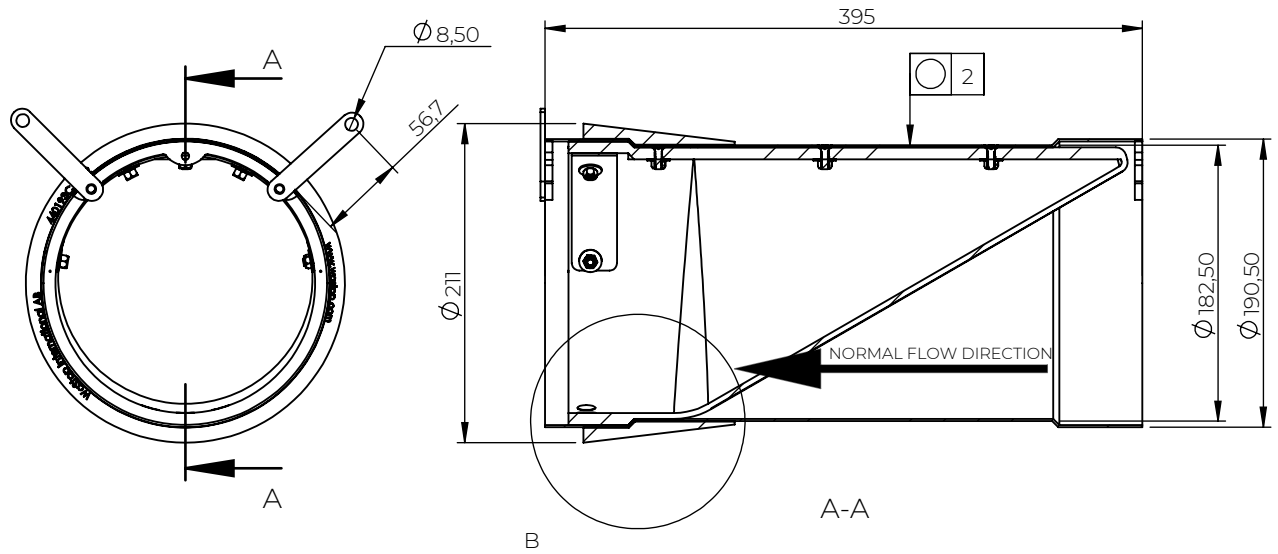
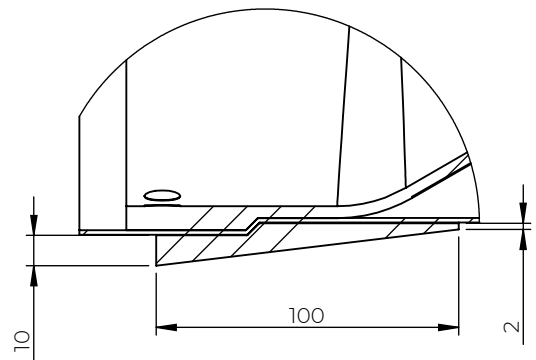
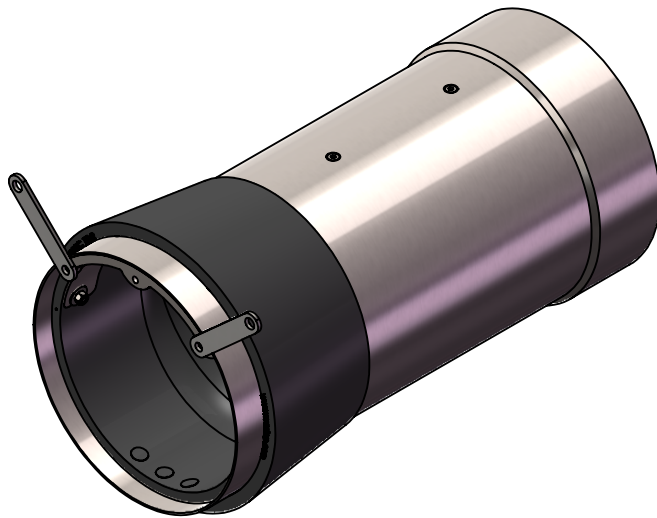


Rev	Note	CreatedBy	Appr.By	Appr.Date
A	Initial release		PW	2020-06-05



DETAIL B  
SCALE 2 : 5



© 2018 Wapro AB. This document is subject to copyrights owned by Wapro AB. Any amendments, republication, retransmission, and/or reproduction of all or any part of the document is expressly prohibited, unless the copyright owner of the material has expressly granted its prior written consent. All other rights are reserved.

Designed By FG	Approved By PW	Created Date 2019-12-05	Units [mm]	General Tolerance ISO 13920A	Scale 1:5	
Material EN 1.4404			Project			
Weight [kg] 4.15	Box Volume [m³] 0.02		Description WaStop DN200			
 www.wapro.com			Mounting tabs and gasket			
			Article Number WS193-S	Drawing Number WS193-S-EN	Rev A	Sheet 1 (1)